

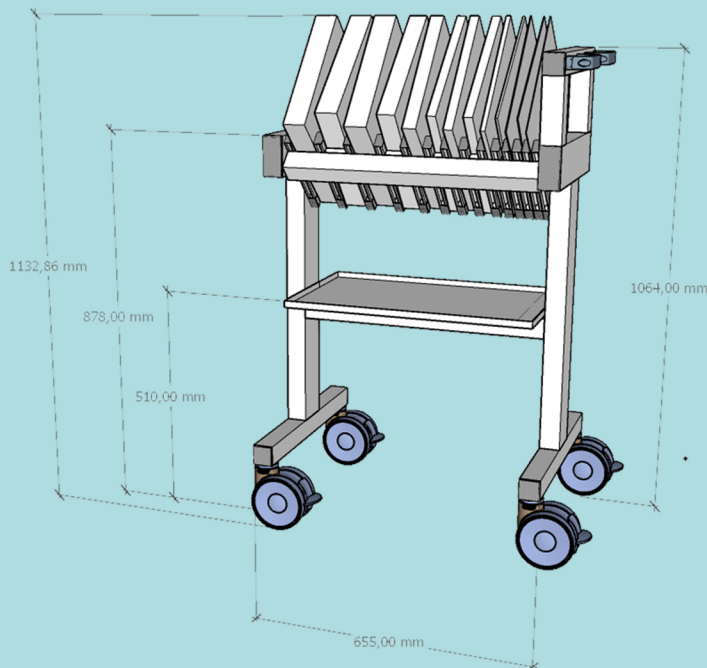
Water Trolley

Efficient handling of solid water slabs



Designed for safe transport,
organised storage and effortless
access in radiotherapy environments.

Available Configurations



SMALL Water Trolley Dimensions
1064mm (h) 655mm (w) x 500mm (d)

Designed to accommodate the following 30 x 30cm slabs:

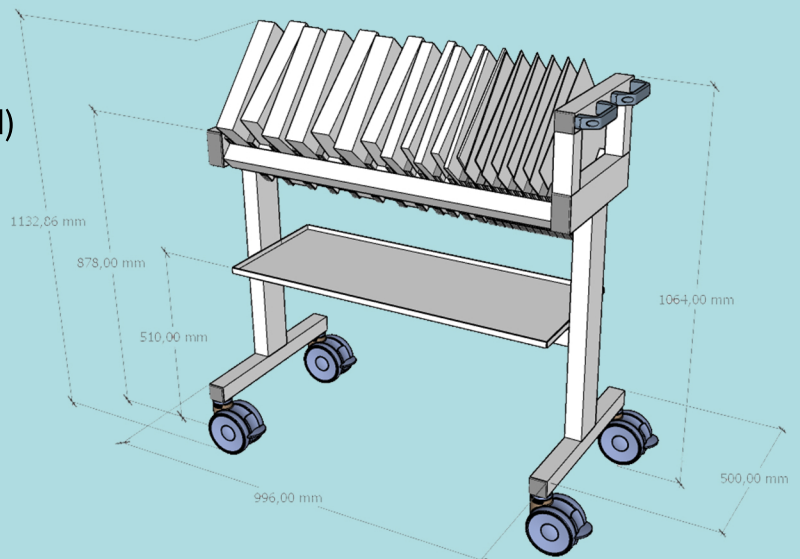
- 1 x 0.1cm
- 2 x 0.2cm
- 1 x 0.5cm
- 1 x 1.0cm
- 3 x 2.0cm
- 1 x 3.0cm
- 1 x 4.0cm
- 3 x 5.0cm **(Total: 30.0cm).**

Can be configured for 20 x 20cm slabs and also slabs of different thicknesses, as long as the total is not more than 30cm thick.

LARGE Water Trolley Dimensions
1064mm (h) 966mm (w) x 500mm (d)

Designed to accommodate 30 x 30cm slabs ranging from 0.1cm to 5cm.

Can be configured for 20 x 20cm slabs and also slabs of different thicknesses, as long as the total is not more than 45cm thick.



We can also custom design a trolley to fit your slab collection.

Can be tailored for 30 x 30cm or 20 x 20cm slabs and also slabs of different thicknesses. Contact us for more information